



# ENCORE<sup>®</sup> 700 S

FUEL DISPENSERS



## TABLE OF CONTENTS

Encore Offering . . . . .	2
Encore 700 S . . . . .	4
FlexPay™ Terminals . . . . .	6
Encore Standard Flow . . . . .	10
Flex Fuel Configurations . . . . .	12
Ultra-Hi Flow . . . . .	14
DEF . . . . .	16

# ENCORE<sup>®</sup> SERIES

## FUEL DISPENSERS

As the market leader in retail fueling dispensers, Gilbarco Veeder-Root custom builds each and every fuel dispenser to deliver unmatched reliability and a familiar experience for consumers at the pump. In addition to the broad model assortment, Encore dispensers go through extended life cycle testing to ensure all fueling positions are operating as they should, 24/7/365.

On top of the quality performance, Encore also offers first-class blending with its precise blend control software and hydraulics that are designed to hit and hold target blend ratios, regardless of site conditions.

Encore's family of dispensers also provides a variety of options to deliver media while fueling, ultimately driving foot traffic in-store.

Encore is just one part of the full site solution that Gilbarco offers. From the forecourt, to the c-store, to underground or in the cloud, we have the product for you along with a seamless integration across all.

If you're looking to freshen up your forecourt with the latest in fueling technology, Gilbarco has the perfect solution for your c-store.

# ENCORE OFFERING

## Standard Flow



## Flex Fuels



## Ultra-Hi Flow



## Diesel Exhaust Fluid (DEF)



# ENCORE 700 S STANDARD FEATURES

Highest quality construction, backed by a 4-year corrosion warranty

High speed thermal printer accepts 3", 4", & 6" paper rolls and produces high-resolution graphics and barcodes

Tuxedo style side sheathing with Duramax™ finish

ADA and IBC Compliant\*  
Standard 2-year Limited Warranty

Choice of payment terminal

Interface via two-wire to Passport or third-party POS









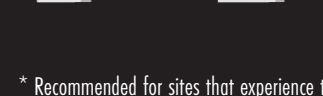



Customized vinyl graphics on galvanized lower doors



\* when mounted on a 6 in. island  
Unions, hoses, and nozzles not included

# OPTIONAL FEATURES

- Meter Upgrades
- Two Level Price Posting (Dual PPU)
- Security Add-ons
  - Reinforced Lower Panel
  - Door Sensors
  - Encrypted Pulsers (Standard Flow Only)
  - Pulser Security Cover (Ultra-Hi Only)
- Satellite Indicator Light (Ultra-Hi Only)
- Junction Box
- Heaters
  - Full Cabinet Heater\*
- Sheathing Upgrades
  - Painted
  - Stainless Steel

CANOPY OPTIONS		
Style	Kit Number	Description
	EN55010GAXXX 	<b>Brand View™ Canopy</b> 56" W x 33" D x 9½" H
	EN55020GAXXX 	<b>Brand View™ DEF Canopy</b> 66" W x 37 ⅞" D x 10" H
	EN01003GAXXX 	<b>Oval Canopy</b> 62" W x 35" D x 9½" H
	EN01001GAXXX 	<b>Rectangular Canopy</b> 46½" W x 39½" D x 9½" H
	EN01004GAXXX 	<b>Rounded Corner DEF Canopy</b> 64.3" W x 32" D x 9.55" H
	EN01002GAXXX 	<b>Rounded Corner Canopy</b> 56" W x 33" D x 9½" H

\* Recommended for sites that experience temperatures lower than 14°F (-10°C)

# PAYMENT TERMINALS



FlexPay 6 Modular 15 in.



FlexPay 6 All-in-One 9 in.

## OVERVIEW

---

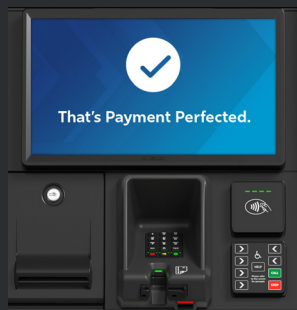
Invenco by GVR offers best in class security, durability and user experience. Its product offering gives you the ability to select the outdoor payment terminal that best fits your business' needs. With a variety of options, compatible with nearly all standard dispensers, Invenco by GVR's all-in-one and modular Payment Terminals, offer endless possibilities.

The all-in-one payment terminals allow a fully customizable user experience with dynamic multi-media in a compact footprint. The incredibly durable, modular payment terminals, provide the ultimate customer experience with high-definition rich media and video, perfect for various media opportunities to drive your business.

# FLEXPAY 6 PAYMENT TERMINALS

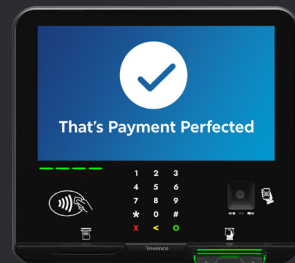
Designed from the bottom up, the new FlexPay 6 payment terminals from Invenco by GVR maximize customer engagement, have higher reliability, lower cost of ownership, best-in-class security, and reduce maintenance through remote terminal management.

FlexPay 6 features two distinct product lines: the All-in-One and Modular payment terminals. All FlexPay 6 outdoor payment terminals will be PCI 6 compliant with the latest EMV contactless standard, have native cloud connectivity, and include 2D bar code and contactless readers as standard features. Terminals are available as retrofit kits or as factory-installed kits in Encore 700S dispensers.



**FlexPay 6  
Modular 15 in.**

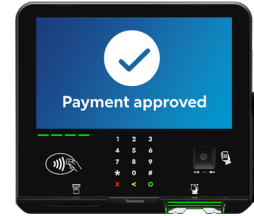
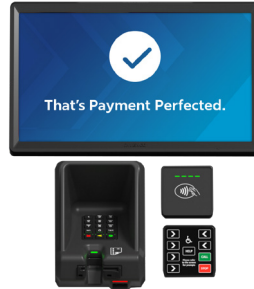
- 15.6 in. HD color full touch screen display with 1200 nits rating
- Modular design offers the following as separate components:
  - Printer
  - Card Reader
  - Display
  - ADA Module
  - Contactless



**FlexPay 6  
All-in-One 9 in.**

- 9 in. HD color full touch screen with HTML5
- All-in-One design offers card reader, contactless, PIN Pad, and printer
- Superior anti-skim design
- Capacitive PIN Pad
- Split card reader
- Backwards compatible to replace older models

# PORTFOLIO AT A GLANCE



	<b>Modular</b>	<b>All-in-One</b>
	<b>FlexPay 6 M1-15</b>	<b>FlexPay 6 A2-09</b>
<b>Display Size</b>	15.6 in.	9 in.
<b>OPT Configuration</b>	Modular	All-In-One
<b>EMV Contactless Certifications</b>	3	3.x
<b>PCI PTS x.x / SRED</b>	PCI 5.x (PCI 6.x coming soon)	PCI 6.x
<b>Temperature Range</b>	-30° C to +70° C	-30° C to +70° C
<b>Display Brightness</b>	1250 nits	1200 nits
<b>Media Ready</b>	Yes	Yes
<b>Available as Factory Installed Dispenser</b>	Yes	Yes
<b>Available as Retrofit Kit</b>	Yes	Yes

**Same trusted service network as other Gilbarco Veeder-Root Products.  
Contact Your Local Sales Representative for More Information.**

# ENCORE STANDARD FLOW DISPENSER AND PUMPER



## Features:

- Single or two sided units available with up to 6 grades and 4 hoses per side
- 4-piston Positive displacement C+ Meters
- High capacity 10-micron water alert filters (one per grade)

Dispensing: Gasoline, Diesel, Flex Fuels, Biodiesel, and Kerosene

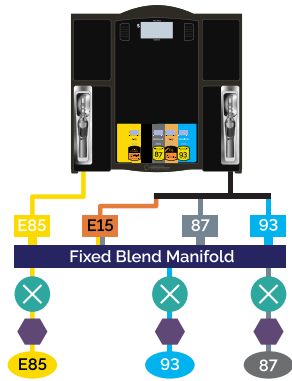
STANDARD FLOW DISPENSERS			Products/Inlets	Hoses per side	Active Meters
Dispensed Grades	Model	Description			
One Grade	NA0*	MPD Dispenser 1-Grade - No Blending	1	1	1
Two Grades	NA1*	MPD Dispenser 2-Grade - No Blending	2	2	2
	NG4	MPD Dispenser 2-Grade, Shared Hose - No Blending	2	1	2
Three Grades	NA2*	MPD Dispenser 3-Grade - No Blending	3	3	3
	NL0	Blender Dispenser 2+1	3	2	3
	NN1	Blender Dispenser 3+0	2	1	2
Four Grades	NA3*	MPD Dispenser 4-Grade - No Blending	4	4	4
	NG1	MPD Dispenser 4-Grade, Shared Hose - No Blending	4	2	4
	NL1	Blender Dispenser 3+1	3	2	3
	NN2	Blender Dispenser 4+0	2	1	2
Five Grades	NL3	Blender Dispenser 3+1+1	4	3	4
	NL2	Blender Dispenser 4+1	3	2	3
Six Grades	NL8	Blender Dispenser 5+1	3	2	3

\*Lever Activation

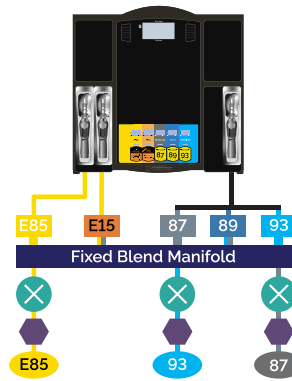
STANDARD FLOW PUMPERS			Products/Inlets	Hoses per side	Active Meters
Dispensed Grades	Model	Description			
One Grade	NC0*	MPP Pump 1-Grade - No Blending	1	1	1
Two Grades	NC1*	MPP Pump 2-Grade - No Blending	2	2	2
Three Grades	NN5	Blender Pump 3+0	2	1	2
Four Grades	NL5	Blender Pump 3+1	3	2	3
Five Grades	NL6	Blender Pump 4+1	3	2	3

\*Lever Activation

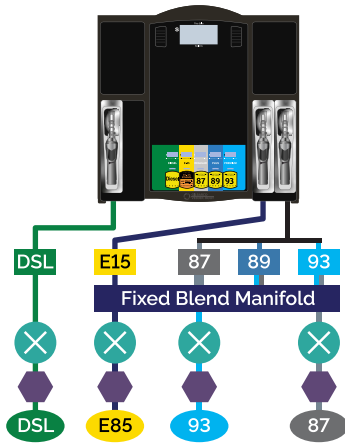
# STANDARD FLOW: FLEXIBLE FUEL DISPENSER CONFIGURATIONS



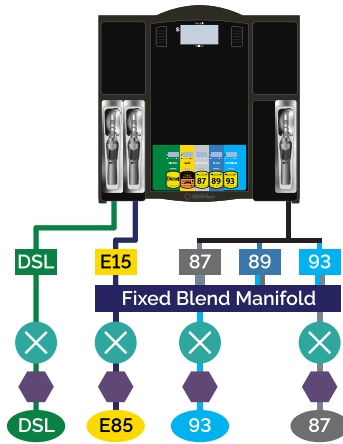
NF0



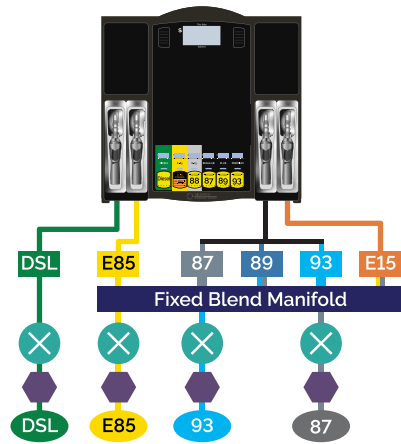
NF1



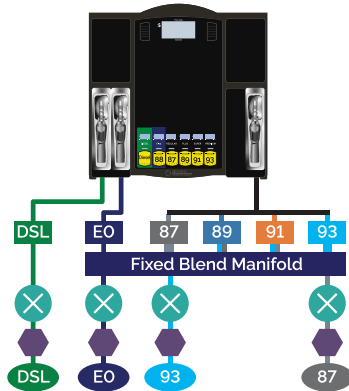
NF2



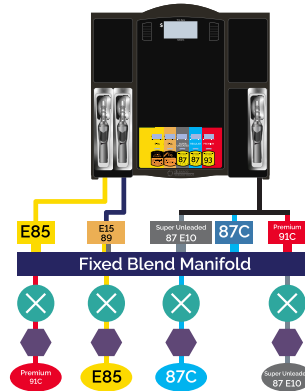
NF4



NF6



NF7



NF8



Valve



Meter



Underground Storage Tank



Hoses

# STANDARD FLOW FLEX FUEL DISPENSERS

Dispensed Grades	Model	Description	Products/Inlets	Hoses per side	Active Meters
Five Grades	NF0	Universal Blender Dispenser 3-2+0	3	2	3
	NF1	Universal Blender Dispenser 3-1-1	3	3	3
	NF2 <sub>a</sub>	Universal Blender Dispenser 3-1+1	4	3	4
	NF4 <sub>a</sub>	Universal Blender Dispenser 3-1+1	4	3	4
	NF8	Universal Blender Dispenser 3-1-1	4	3	4
Six Grades	NF7	Universal Blender Dispenser 4-1+1	4	3	4
	NF6	Universal Blender Dispenser 3-1-1+1	4	4	4

*a. NF2 and NF4 are similar configurations. NF2 allows two hoses on the right (3 and -1) and one on the left (+1). NF4 allows one hose on the right (3) and two on the left (-1 and +1)*



# ULTRA-HI FLOW DISPENSER



## Features:

- Pump up to 60 gallons (227 liters) per minute\* with a Master and Satellite simultaneously
- Lever Activation
- High Capacity 30-micron filters (one per inlet)

ULTRA-HI FLOW DISPENSERS			Products/Inlets	Hoses per side	Active Meters
Dispensed Grades	Model	Description			
One Grade	NP3	Master Dispenser 1-Grade	1/2**	1	1/2**
	NP4	Combo: Master/Satellite Dispenser 1-Grade	2	1	1
	NP5	Satellite Dispenser (No CRIND)	1/2**	1	0
Two Grades	NP6 <sub>a</sub>	Master Dispenser 2-Grade	2	2	2
	NP8 <sub>a</sub>	Satellite Dispenser 2-Grade (No CRIND)	2	2	0

a. Available Only as Single-Sided Dispensers  
 \*\* 2 Products/Inlets and Active Meters only



# ENCORE DEF DISPENSERS



DEF dispensing compatible with Standard Flow or Ultra-Hi Flow models

DEF valve access door

Magnetic Flapper cover helps keep heat in, preventing DEF nozzles & hoses from freezing

Thermostat-controlled cabinet protecting to  $-4^{\circ}\text{F}$  ( $-20^{\circ}\text{C}$ ). Colder weather protection available.

- Single or Dual-sided
- Factory Installed or Retrofit Kits

# DIESEL EXHAUST FLUID

---

With all diesel vehicle engines produced after 2010 requiring diesel exhaust fluid or DEF, providing customers an easier way to fill up their DEF tanks is becoming more and more important.

In addition to offering DEF from both sides of the dispenser, Encore has also brought DEF dispensing to the forecourt. Encore 700S DEF Standard Flow Dispensers provide the ability to add DEF dispensing from the same fueling position as your standard gasoline and diesel fuels, preventing retailers from giving up an entire spot dedicated to DEF.

## **STANDARD FEATURES:**

- Stainless steel DEF-compatible hydraulics
- Highly accurate, magnetic flow meter
- ISO components to ensure DEF compatibility
- Crossover plumbing available to route DEF from one inlet to both cabinets

## **AVAILABLE OPTIONS:**

- DEF cold weather upgrade or specialized upgrade option for protection to -40° F (-40° C)
- DEF temperature warning sensors
- 6 ft. DEF inlet hose
- Stainless steel DEF breakaway and swivel
- DEF nozzle with or without mis-fill magnetic adapter

FACTORY INSTALLED DEF DISPENSERS			Products/Inlets	Hoses per side	DEF Hoses	Active Meters
	Model	Description				
Backcourt DEF	NA4	DEF Dispenser - Diesel Exhaust Fluid Only <sup>a</sup>	1	0	1	1
	NPA	UH Master Diesel 1-Grade + DEF 1-Side Only	2/3 <sup>**</sup>	1	1	2/3 <sup>**</sup>
	NPB	UH Master/Satellite Diesel Dispenser + DEF 1-Side Only	2	1	1	2
	NPC	UH Master Diesel 2-Grade, 1-Sided + DEF 1-Side Only <sup>b</sup>	3	2	1	3
Forecourt DEF Adder Options	-	NXX + DEF: Factory Installed DEF on Std flow Dispenser <sup>c</sup>	-	-	1	-
	-	NXX + Dual DEF: Factory Installed DEF on Std Flow Dispenser and 2 <sup>nd</sup> Cabinet Field Installed <sup>c,d</sup>	-	-	2	-

a. NA4 includes only 1 DEF cabinet. If DEF is required on both sides, a two sided NA4 should be ordered along with an NPK RF-2 Kit that will need to be field installed.

b. NPC is only available single sided.

c. Available for models: NA0, NA1, NA2, NGO, NN1, NN2, NLO, NL1.

d. Second side cabinet should be ordered with NPK RF-4 Kit

\*\* 3 Products/Inlets and Active Meters only on Two-Sided NPA

# FACTORY INSTALLED DEF DISPENSERS

	Model	Description
Ultra-Hi Flow Dispensers	NPK RF Kit	To add 1 side DEF Cabinet to NP3, NP6, NP4
	NPK RF-2 Kit	To add 2nd side DEF cabinet to 2-sided NP3, NPA
Standard Flow Dispensers	NPK RF-3 Kit	To add DEF to one side of a standard flow unit (one- or two-sided)
	NPK RF-4 Kit	To add DEF to 2nd side of a 2-sided standard flow unit

**Note:** DEF outlet hose required for all DEF dispensers/cabinets.









[www.gilbarco.com](http://www.gilbarco.com)